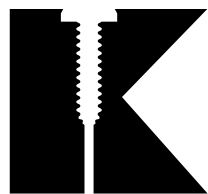


**FRAME**

**BOLTS**



**KANEBRIDGE  
CORPORATION**

New Jersey | Illinois | California

T: (800) 222-9221 [sales@kanebridge.com](mailto:sales@kanebridge.com)

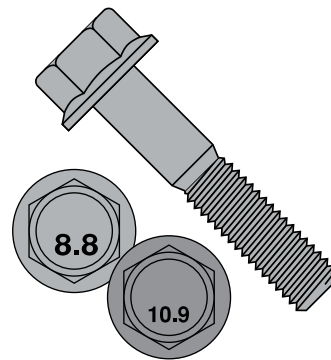
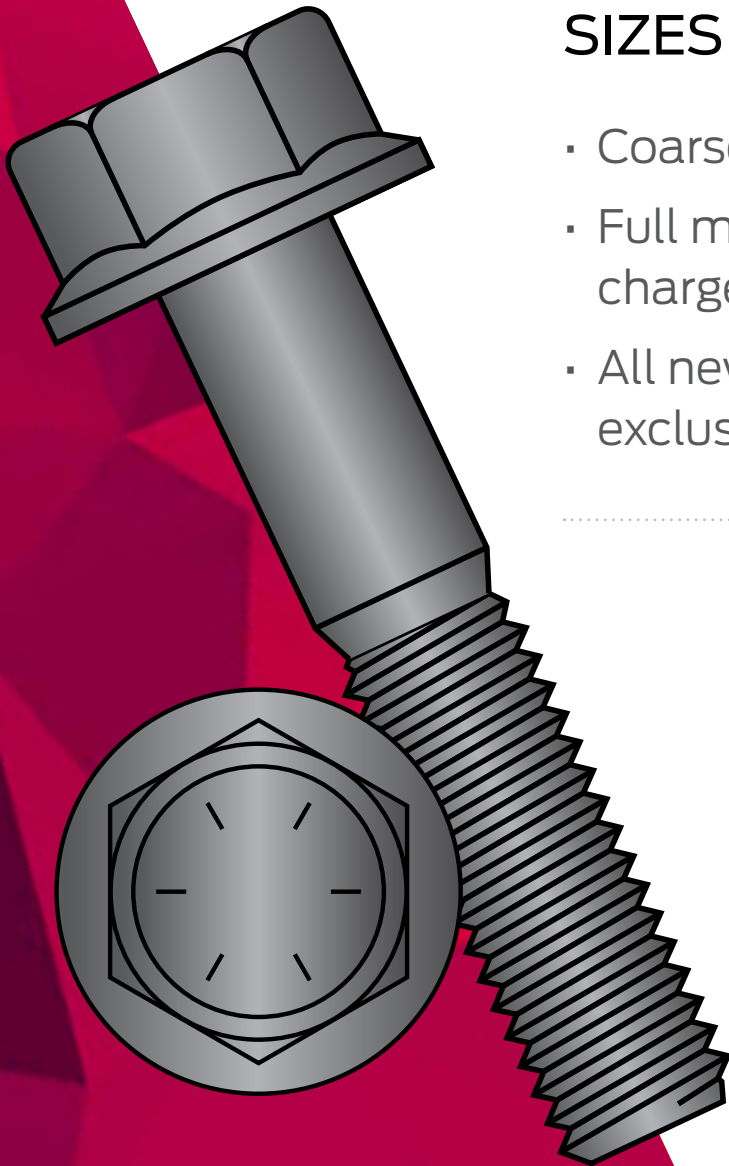
F: (201) 337-2301 [www.kanebridge.com](http://www.kanebridge.com)

# GRADE-8

SIZES FROM 1/4" THRU 3/4"

**143 ITEMS**

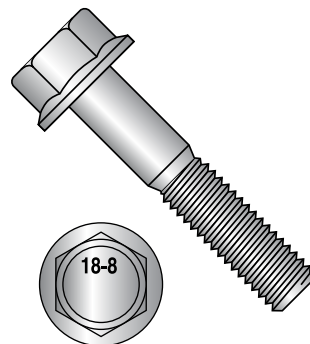
- Coarse & Fine Thread sizes
- Full manufacturer's certification furnished free of charge for all items (on request)
- All new inventory purchases since Jan 2017 are exclusively from Canadian or U.S. factories



## METRIC FLANGE BOLTS TO DIN 6921 IN CLASSES 8.8 & 10.9

- Full manufacturer's certification furnished free of charge for all items (on request)
- Sizes from M6 thru M12

**116 ITEMS**



## 18-8 STAINLESS FLANGE BOLTS FROM 5/16 THRU 5/8" DIAMETERS

- Full manufacturer's certification furnished free of charge for all items (on request)
- Sizes from M6 thru M12

**12 ITEMS**

T: (800) 222-9221

F: (201) 337-2301

[sales@kanebridge.com](mailto:sales@kanebridge.com)

[www.kanebridge.com](http://www.kanebridge.com)