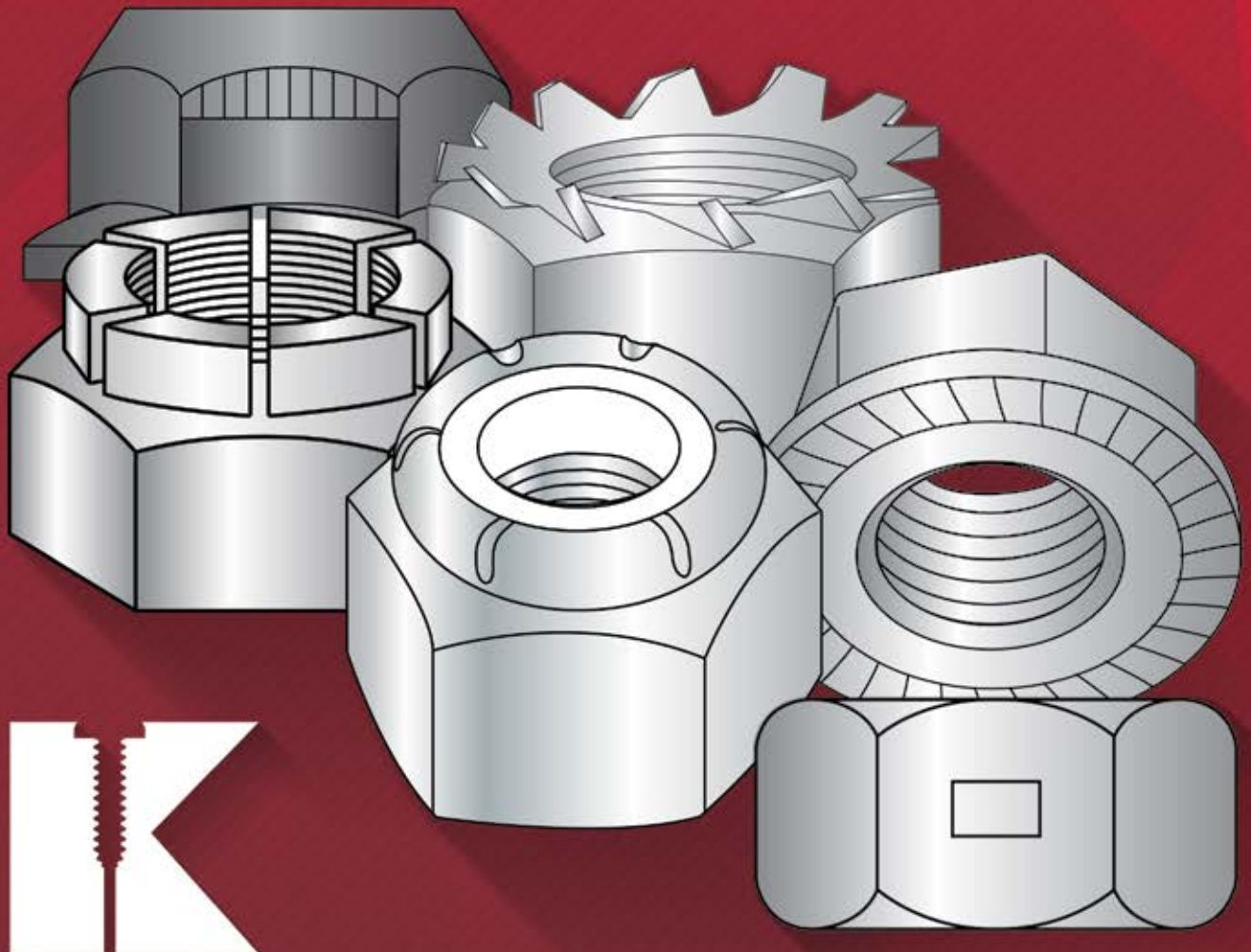
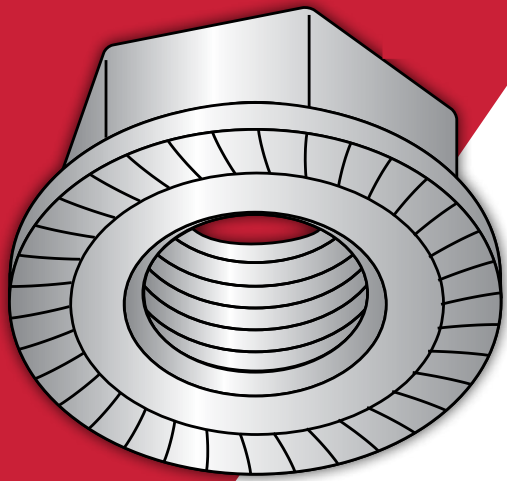


# Lock Nuts

OVER  
700  
ITEMS

- » Flex Type
- » Serrated Flange
- » "K"-Lock
- » Nylon Inserts
- » Top Lock
- » 2-Way Reversible





# SERRATED FLANGE

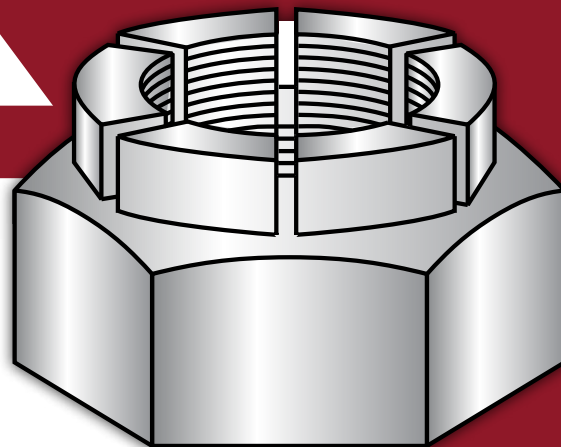
- 18-8 Stainless Steel
- Grade-5 (Steel Zinc)
- Grade-5 (Steel Zinc Yellow)
- Grade-8 (Black Phosphate)
- Grade-8 (Zinc Yellow)
- Large (Steel Zinc)
- Case-Hardened (Steel Zinc)
- Large (Grade-5 & Grade-8)

## ALSO AVAILABLE IN:

- DIN 6923 Class 8 (Steel Zinc)

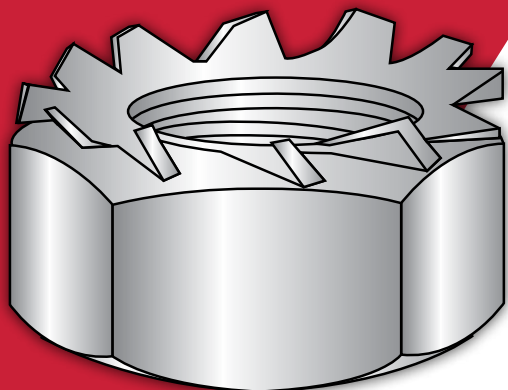
# FLEXTYPE LOCK NUTS

- Heavy Hex (Full Height)
- Heavy Hex (Thin Height)
- Light Hex (Full Height)
- Light Hex (Thin Height)



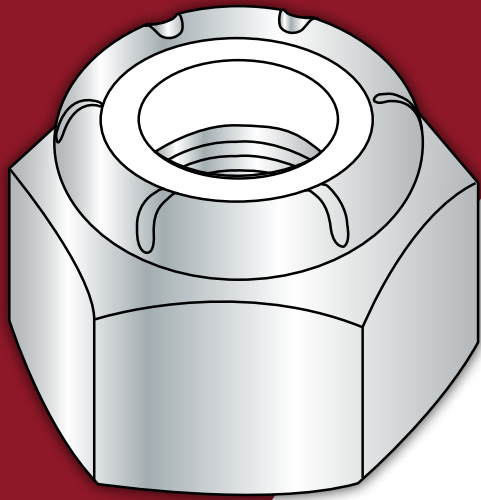
# "K"-LOCK NUTS

- Conical Washer
- External Tooth Washer



## ALSO AVAILABLE IN:

- Metric



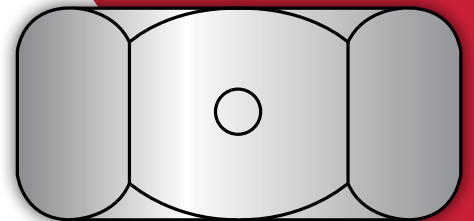
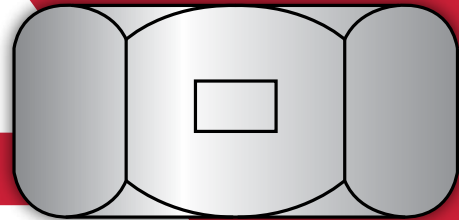
# NYLON INSERTS

- Flange
- Heavy Hex (Full Height)
- Heavy Hex (Thin Height)
- Light Hex (Regular Height)
- Light Hex (Thin Height)
- Grades 2, 5 and 8

## ALSO AVAILABLE IN:

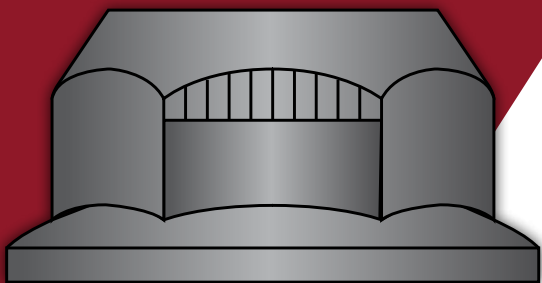
- DIN 985
- DIN 6926

# TWO-WAY REVERSIBLE



- 18-8 Stainless
- Flange Grade F (Steel Zinc)
- Steel Black Oxide
- Steel Black Zinc
- Steel Zinc

# TOP LOCK



- Grade 9 (Coarse)
- Grade-9 (Fine)
- Grade-B (Steel Cad & Wax)
- Grade-C (Steel Cad & Wax)
- Grade-G, Flange (Steel Black Phos)
- Grade-G Flange (Steel Zinc Yellow)

## ALSO AVAILABLE IN:

- DIN 980V
- IFI B18.16.3M
- DIN 6927

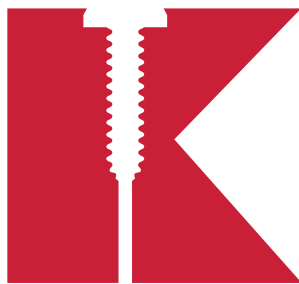
# AVAILABLE IN:

Steel

Stainless

Inch

Metric



**KANEBRIDGE**

**CORPORATION**

New Jersey | Illinois | California

T: (800) 222-9221 [sales@kanebridge.com](mailto:sales@kanebridge.com)

F: (201) 337-2301 [www.kanebridge.com](http://www.kanebridge.com)