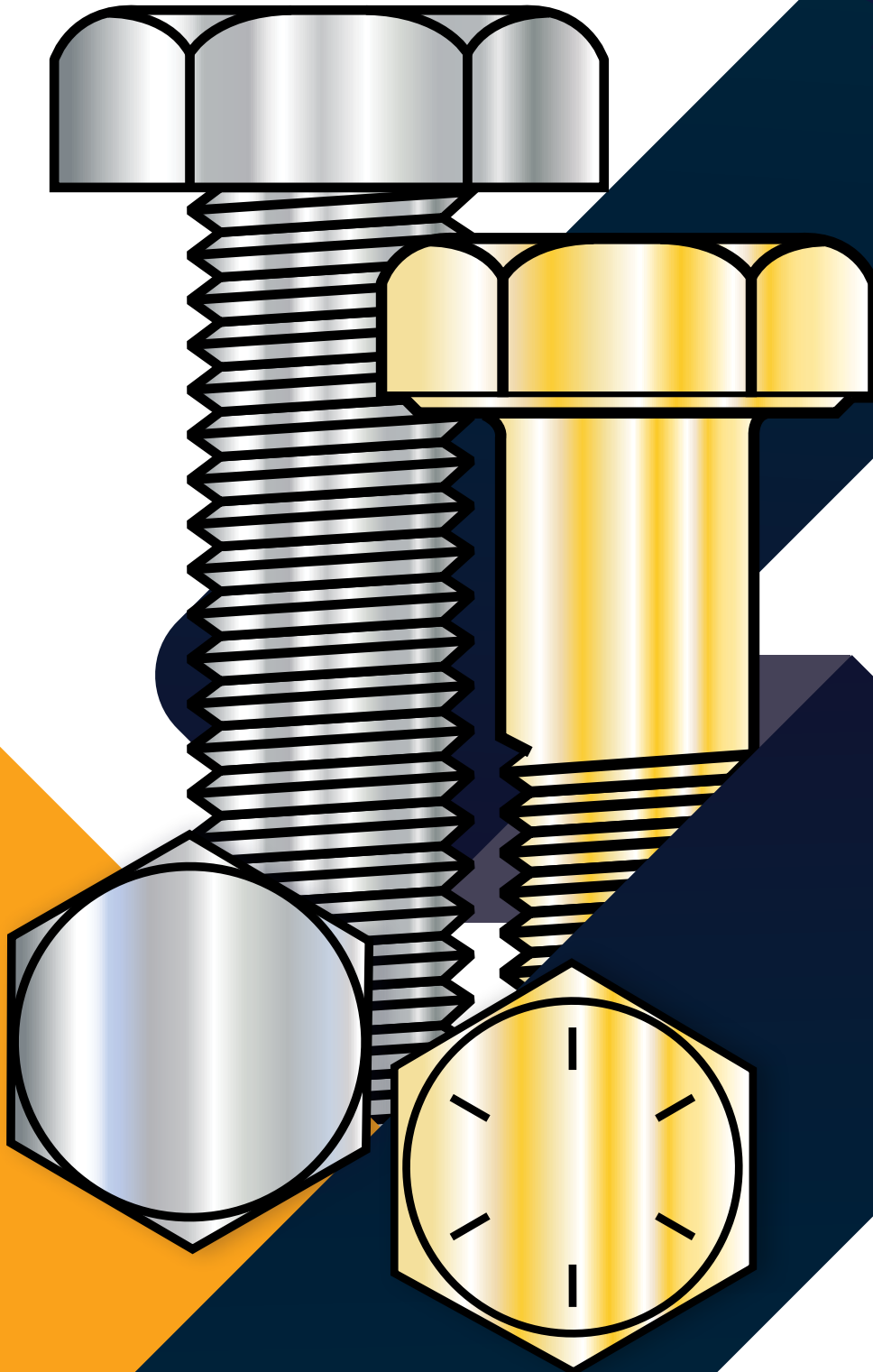


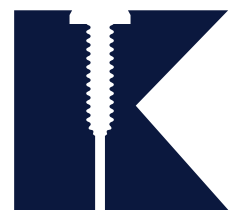
TAP BOLTS & CAP SCREWS

**OVER
3,200
ITEMS**

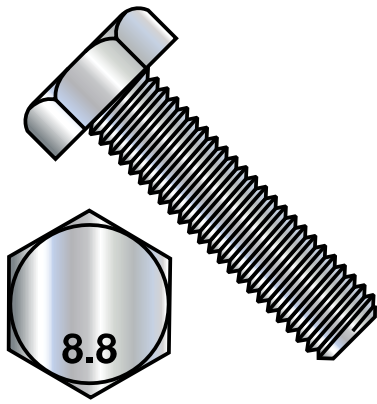


FEATURING

- Grades 2, 5, 8, & 9
- 18-8 / 316 SS, Aluminum, & Silicon Bronze
- Metric DIN 933 and Class 8.8 & 10.9
- Free Manufacturers' Certs on Thru-Hardened parts

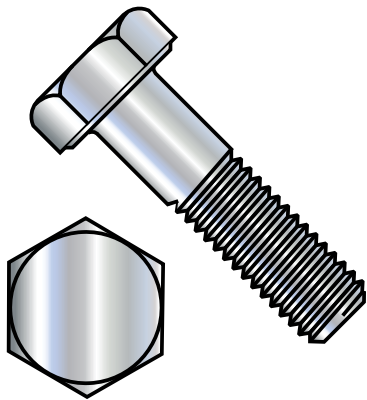


**KANEBRIDGE
CORPORATION**



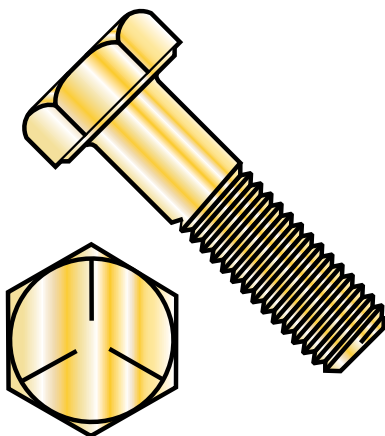
HEX TAP BOLTS

- Low Carbon (Steel Zinc)
- Grade-5 (Steel Zinc)
- Grade-8 (Steel Plain Finish)
- Grade-8 (Steel Zinc Yellow)
- 18-8 (Stainless Steel)
- Metric DIN 933 Class 8.8 (Steel Zinc)
- Metric DIN 933 Class 10.9 (Steel Plain)



HEX CAP SCREWS (COMMERCIAL GRADE)

- Low Carbon Machine Bolts (Steel Galvanized)
- Grade-2 (Steel Zinc)
- Grade-2 (Steel Black Oxide)
- Grade-2 (Steel Plain Finish)
- Grade-5 (Steel Zinc)
- Grade-5 (Steel Plain)
- Grade-8 (Steel Zinc Yellow)
- Grade-8 (Steel Plain)
- Grade-9 (Steel EcoGuard® Gray/Silver Finish)
- Metric DIN 931 (Steel Zinc)
- Metric DIN 931 (Steel Plain)
- 18-8 Stainless
- 316 Stainless
- Aluminum
- Silicon Bronze

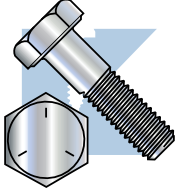


HEX CAP SCREWS (MILITARY GRADE)

- ASME B18.2.1 Grade-BD (Steel Zinc Yellow)
- MS35307 (300-Series Stainless)
- MS35308 (300-Series Stainless)
- MS90725 Grade-5 (Steel Cadmium Yellow)
- MS90726 Grade-5 (Steel Cadmium Yellow)

EASILY IDENTIFY THE COUNTRY OF ORIGIN

Whether it is a contractual requirement or just a customer's preference, knowing the location a fastener was made can be required before closing the sale. Customers can access this information for all 43,000+ items Kanebridge sells.



HEX CAP SCREWS - GRADE-5
Coarse Thread

- Manufactured to ASME B18.2.1 & SAE J429 specifications
- Tensile Strength: 120,000 psi min (1/4 thru 1" diams)
105,000 psi min (1 - 1/8 thru 1.5 diams)

STEEL ZINC

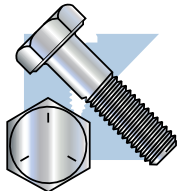
COARSE THREAD

ITEM #	ITEM SIZE	ORIGIN	CARTON QTY	UM	LBS / UM
5632CH5O	9/16-12X2	Canada	0.225	M	176.40
5636CH5O	9/16-12X2 1/4	Canada	0.200	M	193.90
5640CH5O	9/16-12X2 1/2	U.S.A.	0.175	M	211.40
5644CH5O	9/16-12X2 3/4	U.S.A.	0.150	M	228.00
5648CH5O	9/16-12X3	Canada	0.150	M	246.50
5652CH5O	9/16-12X3 1/4	U.S.A.	0.125	M	255.00
5656CH5O	9/16-12X3 1/2	U.S.A.	0.125	M	281.50
5664CH5O	9/16-12X4	Canada	0.100	M	316.50
5680CH5O	9/16-12X5	Canada	0.100	M	386.50

Item Information:

Item #: 5632CH5O | Size: 9/16-12X2

Coarse Thread Hex Cap Screw Grade 5 Zinc



HEX CAP SCREWS - GRADE-5
Coarse Thread

- Manufactured to ASME B18.2.1 & SAE J429 specifications
- Tensile Strength: 120,000 psi min (1/4 thru 1" diams)
105,000 psi min (1 - 1/8 thru 1.5 diams)

STEEL ZINC

COARSE THREAD



Origin: Canada

CARTON QTY	UM	REGULAR PRICE/UM 1 TO 4 CTNS	DISCOUNTED PRICE/UM 5 OR MORE CTNS	WEIGHT/UM
0.225	M	\$494.46	\$449.51	176.4 lbs

INCH THREAD

NOW INCLUDING GRADE-9

TIGHTENING TORQUE VALUES FOR BOLTS—UNIFIED (INCH) THREAD

Diameter & Thread Pitch	Tensile Stress Area	Grade-2			Grade-5			Grade-8			Grade-9		
		Clamp Load	Dry Torque	Lightly Lubricated Torque	Clamp Load	Dry Torque	Lightly Lubricated Torque	Clamp Load	Dry Torque	Lightly Lubricated Torque	Clamp Load	Dry Torque	Lightly Lubricated Torque
		Inch ²	Lbs.	Lb./Foot	Lb./Foot	Lbs.	Lb./Foot	Lb./Foot	Lbs.	Lb./Foot	Lb./Foot	Lbs.	Lb./Foot
1/4-20	0.0318	1313	5	4	2025	8	6	2850	12	9	3357	143 (in./lb.)	126 (in./lb.)
1/4-28	0.0364	1500	6	5	2325	10	7	3263	14	10	3837	163 (in./lb.)	144 (in./lb.)
5/16-18	0.0524	2175	11	8	3338	17	13	4725	25	18	5531	294 (in./lb.)	259 (in./lb.)
5/16-24	0.0580	2400	13	9	3675	19	14	5213	27	20	6125	325 (in./lb.)	287 (in./lb.)
3/8-16	0.0775	3188	20	15	4950	31	23	6975	44	35	8174	43	38
3/8-24	0.0878	3600	23	17	5588	35	26	7875	49	37	9265	49	43
7/16-14	0.1063	4388	32	24	6788	49	35	9563	70	55	11,214	70	61
7/16-20	0.1187	4913	36	27	7575	55	41	10,650	78	58	12,523	78	68
1/2-13	0.1419	5850	49	35	9038	75	55	12,788	107	80	14,969	106	94
1/2-20	0.1599	6600	55	41	10,200	85	64	14,400	120	90	16,873	120	105
9/16-12	0.1820	7500	70	55	11,588	109	80	16,388	154	110	-	-	-
9/16-18	0.2030	8400	79	59	12,975	122	91	18,300	172	129	-	-	-
5/8-11	0.2260	9300	97	75	14,400	150	110	20,325	212	170	23,840	211	186
5/8-18	0.2560	10,575	110	83	16,350	170	128	23,025	240	180	27,000	239	211
3/4-10	0.3340	13,800	173	130	21,300	266	200	30,075	376	280	35,281	375	331
3/4-16	0.3730	15,375	192	144	23,775	297	223	33,600	420	315	39,343	418	369
7/8-9	0.4620	11,400	166	125	29,438	429	320	41,588	606	460	-	-	-
7/8-14	0.5090	12,600	184	138	32,475	474	355	45,825	668	501	-	-	-
1-8	0.6060	15,000	250	190	38,625	644	480	54,525	909	680	-	-	-
1-12	0.6630	16,425	274	205	42,300	705	529	59,700	995	746	-	-	-
1 1/8-7	0.7630	18,900	354	270	42,338	794	600	68,663	1287	960	-	-	-
1 1/8-12	0.8650	21,150	397	297	47,475	890	668	77,025	1444	1083	-	-	-
1 1/4-7	0.9690	24,000	500	380	53,775	1120	840	90,000	1875	1360	-	-	-
1 1/4-12	1.0730	26,550	553	415	59,550	1241	930	96,600	2013	1509	-	-	-
1 3/8-6	1.1550	28,575	655	490	64,088	1469	1100	103,950	2382	1780	-	-	-
1 3/8-12	1.3150	32,550	746	559	72,975	1672	1254	118,350	2712	2034	-	-	-
1 1/2-6	1.4050	34,800	870	650	78,000	1950	1460	126,450	3161	2360	-	-	-
1 1/2-12	1.5810	39,150	979	734	87,750	2194	1645	142,275	3557	2668	-	-	-

The suggested tightening torque values on this page are presented only as a guide. Many factors affect what torque value is optimal in any application including: lubrication texture of surface, condition of threads, type of material, corrosion and other debris that may be present. Users are urged to test these recommendations in the actual application conditions and with a calibrated torque wrench.

METRIC THREAD

TIGHTENING TORQUE VALUES FOR BOLTS – METRIC THREAD

Diameter & Thread Pitch	Tensile Stress Area	Class 8.8				Class 10.9			
		Dry Condition		Lubricated		Dry Condition		Lubricated	
		Tightening Torque	Pre-load	Tightening Torque	Pre-load	Tightening Torque	Pre-load	Tightening Torque	Pre-load
	mm ²	Nm	kN	Nm	kN	Nm	kN	Nm	kN
M5 x 0.8	14.2	7.0	6.5	7.4	5.2	10.3	9.5	10.8	7.6
M6 x 1	20.1	9.9	11.3	10.4	9.0	14.5	16.5	15.3	13.2
M8 x 1.25	36.6	18.1	27.3	19.1	21.6	26.6	40.1	28.0	31.8
M10 x 1.5	58.0	28.8	54	30.3	43	42.2	79	44.5	63
M12 x 1.75	84.3	41.9	93	44.1	73	61.5	137	64.8	108
M14 x 2	115	57.5	148	60.6	117	84.4	218	88.9	172
M16 x 2	157	78.8	230	82.9	180	115.7	338	121.7	264
M18 x 2.5	192	99	329	104	259	141	469	149	369
M20 x 2.5	245	127	464	134	363	181	661	190	517
M22 x 2.5	302	158	634	166	495	225	904	237	704
M24 x 3	353	183	798	192	625	260	1136	274	890
M27 x 3	459	240	1176	252	915	342	1674	359	1304
M30 x 3.5	561	292	1597	307	1246	416	2274	437	1775

This table lists maximum permissible tightening torques and the maximum pre-load for standard Class 8.8 and 10.9 hex head bolts. The values are based on 90% utilization of the bolt's yield strength and do not include any safety factor. Therefore these values should be used with caution as other factors affect what torque value is optimal in any application including: lubrication texture of surface, condition of threads, type of material, corrosion and other debris that may be present. Users are urged to test these recommendations in the actual application conditions and with a calibrated torque wrench.

THE KANEBRIDGE BACK OFFICE IS WORKING FOR YOU!

What do we mean when we refer to Kanebridge's "Back Office?" It is the dozens of people diligently working to make sure your order is flawlessly prepared, shipped and delivered on-time to the location where it is needed. It is the team of professionals that provide you—the distributor—with peace of mind that everything is handled with the same care you would take.



E-COMMERCE CONVENIENCE



CUSTOMER SERVICE



43,000 ITEMS



HIGH-QUALITY PRODUCT



CUSTOM LABELING



SAME-DAY SHIPPING



SECONDARY PROCESSING



DROP-SHIPPING



100% SATISFACTION

THE KANEBRIDGE ADVANTAGE



Over 43,000 Items

Kanebridge is a master distributor with over 43,000 items in inventory, including almost 10,000 Stainless Steel and 2,000 Military fasteners.



Order By Credit Card

We accept Visa, MasterCard, Discover and American Express for new sales orders and outstanding balances.



Same-Day Shipping

All orders placed by 5pm can ship the same day when using UPS. Emergency orders are ready within one hour. Airfreight orders placed by 7:45 PM Eastern (4:45 PM Pacific) can ship same day (based on stock availability in our California warehouse).



Free Certifications

Chemical & Physical certifications are available on all thru-hardened parts and all items made to military specifications. We also keep all certifications on file and properly archived. Access any certification anytime you need it at no charge.



Fastener Specifications Guide

Kanebridge's newest 6th edition of its Fastener Specification Guide is available from stock in all 3 of our branches. This hard cover reference volume is the most comprehensive and up-to-date collection of fastener specifications Kanebridge has ever offered. The Specification Guide can also be accessed online at www.kanebridge.com.



No Fault Return Policy

We will accept returns of full carton quantities for any reason. There is no restocking charge on items returned within 30 days, without any alterations and accompanied with a return authorization. Material returned after 30 days will be subject to a 20% restocking charge; after 90 days returns may not be accepted. We prefer returns in our original boxes and lots must not be mingled. Thru-hardened or military grade fasteners will not be accepted unless returned in the original box(es).



99% Service Level

99% of the items listed in this catalog are available from stock every day from one of our three warehouses located coast to coast: New Jersey, Illinois and California.



Traceability

Lot control is maintained on all items in our inventory.



Drop-Shipping

Kanebridge can ship orders directly to your customer with a packing list and shipping label that show you as the vendor. Combine with our Custom Label service for a simplified method of shipment.

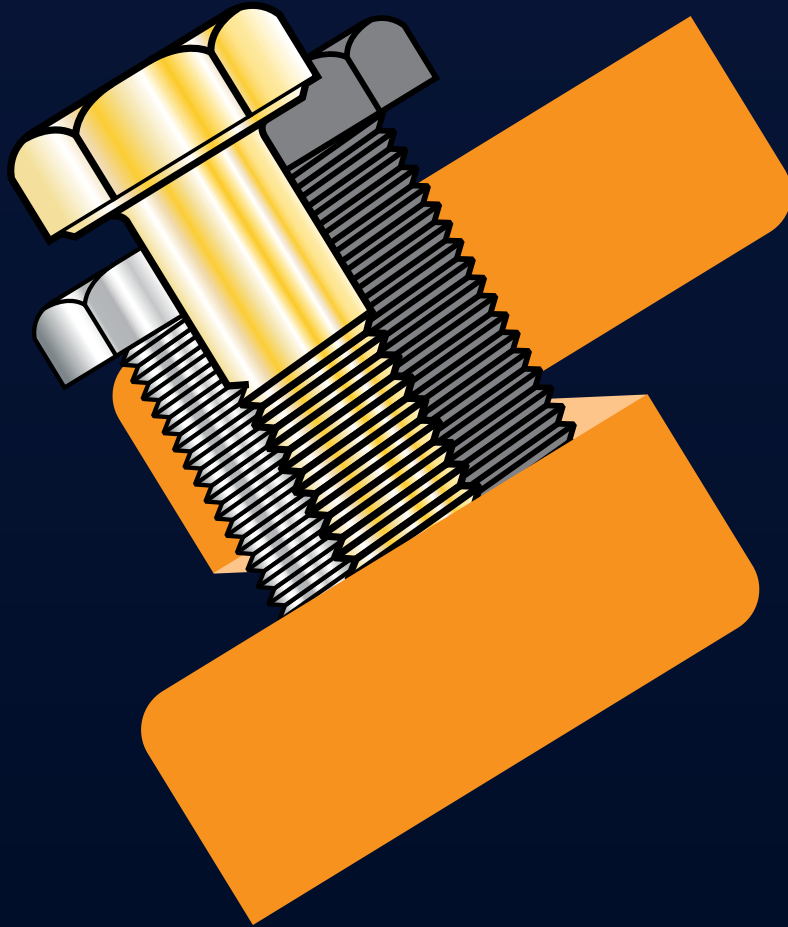


Custom Labeling

Streamline your receiving operations by letting Kanebridge affix custom labels to each box you order. Include any information you need; part number, part description, lot number and country of origin in alphanumeric and/or bar code formats.

FEATURED PRODUCTS

- Cap Screws in Grades 2, 5, 8, & 9
- Cap Screws in 18-8 & 316 Stainless; Aluminum & Silicon Bronze
- Metric Cap Screws in Class 8.8 & 10.9
- Tap Bolts in Low Carbon, Grades 5 & 8 and 18-8 Stainless
- Metric Tap Bolts to DIN 933 in Class 8.8 & 10.9
- Free Manufacturers' Certifications on all Thru-Hardened parts



T: (800) 222-9221 sales@kanebridge.com
F: (201) 337-2301 www.kanebridge.com